



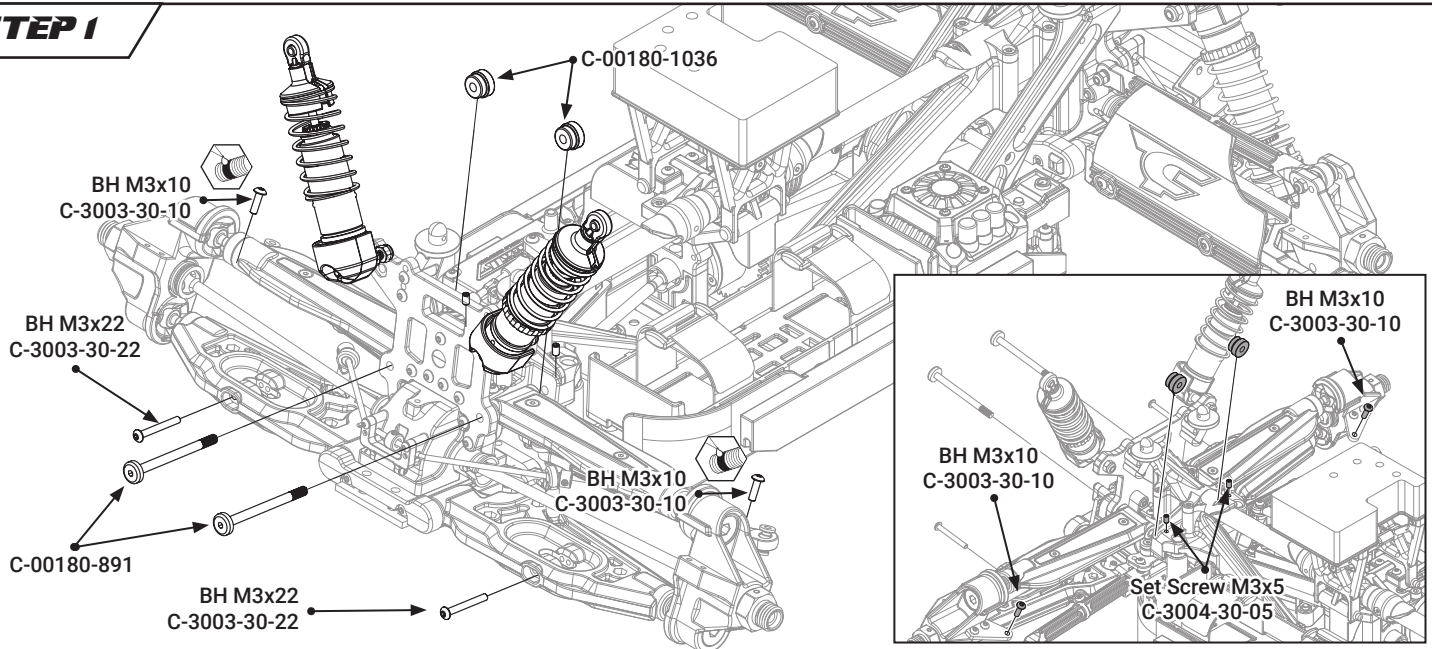
Required Tools:

- 1.5 Hex Driver
- 2.0 Hex Driver
- 2.5 Hex Driver
- Thread-locker 
- Lithium Grease 

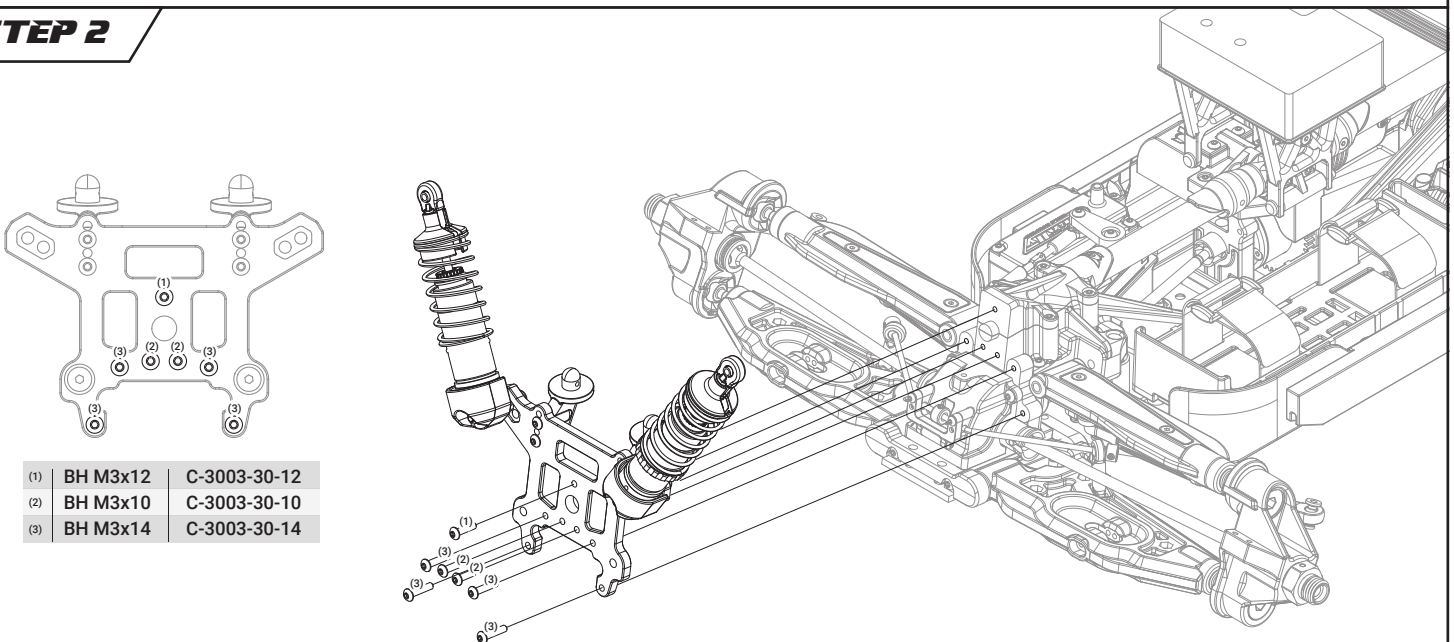
Finish Before:

- Front Skid Plate

STEP 1

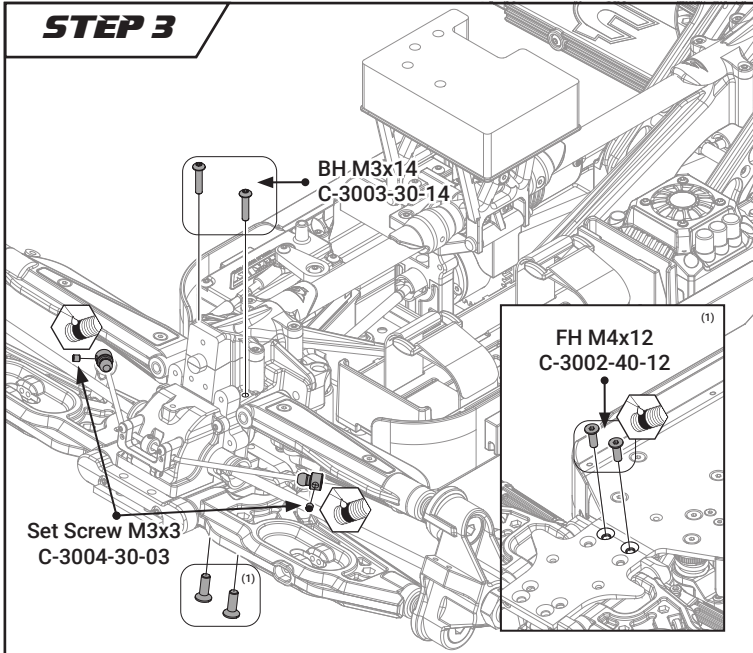


STEP 2

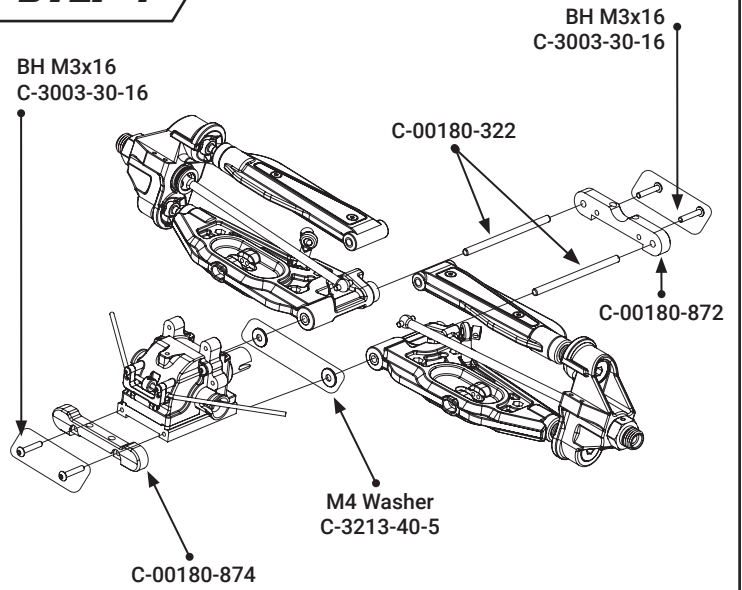


(1)	BH M3x12	C-3003-30-12
(2)	BH M3x10	C-3003-30-10
(3)	BH M3x14	C-3003-30-14

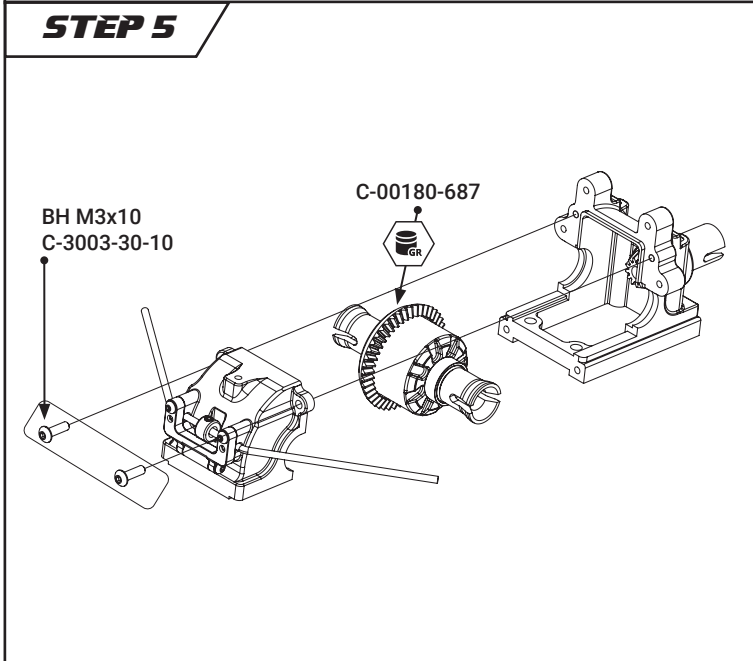
STEP 3



STEP 4



STEP 5



STEP 6

